

TECHNICAL DATA SHEET

TRAPEZOID BLADE NO. 160099

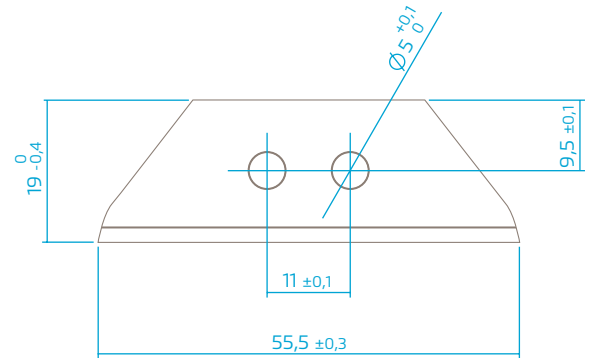


TRAPEZOID BLADE NO. 160099 from MARTOR is a high-quality blade made of stainless steel. It is very sharp and has two cutting edges that can be used one after the other for a long service life. The blade is 55.5 mm long, 19.0 mm wide and 0.63 mm thick. The deep edge makes cutting easier and the rounded tips increase user safety. The oil used for the blade is food safe.

TRAPEZOID BLADE NO. 160099 is available under order number 160099.70 in a safety dispenser of 10.

PRODUCT DETAILS

Order No.	NO. 160099.70
Blade size (L x W)	55.5 x 19 mm
Material thickness	0.63 mm
Weight Blade	3.7 g
Basic material	stainless steel
Refinement/ Version	stainless steel
Ground	deep-edged, 2-sided ground-edge
Blade facets	double bevel edge-ground
Safety feature	rounded blade tips
Blade characteristics	2-cutting edge blade



PACKAGING DETAILS

Packaging unit	10 in safety dispenser
Size PU	64.4 x 26 x 16 mm
Weight PU	47 g
EAN Code single unit box	4002632803666
Quantity in outer pack	10 safety-dispensers
Size outer pack	166 x 28 x 67 mm
Weight outer pack	490 g
EAN Code outer pack	4002632853661
Customs tariff number	82119400



Stainless



Rounded-tip trapezoid blade



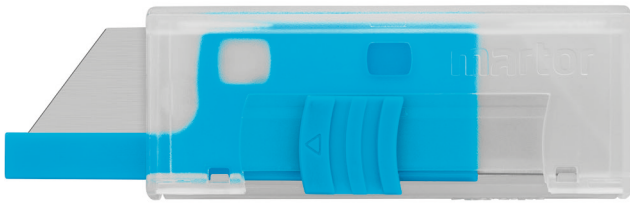
2-sided ground-edge



deep-edged



2-cutting edge blade



MOUNTABLE IN

The blade can be used in the following MARTOR knives: SECUPRO 625, SECUPRO MEGASAFE, SECUPRO MAXISAFE, SECUNORM 525, SECUNORM PROFI25 MDP.

SAFETY ADVICE



CAUTION: The blade is sharp and can result in serious and deep cuts. Therefore, never reach into the blade!

Only use cutting tools that are in perfect condition with sharp, clean and undamaged MARTOR blades. Also make sure that the knife's operation is not impaired by the material to be cut or by dirt or particle deposits around the blade.

1. Replacement of spare parts: Replace any blades that become dull at the right time! Dispose of old blades in a proper fashion. They should not be placed in a waste paper bin, as this poses a considerable danger of injuries.

2. Non-use of the knife: Always secure the blade in such a way (depending on product type) that injuries due to cuts are excluded. Store the knife in a secure place.

3. Care instructions: To guarantee a long service life, always keep the knife clean and do not expose it to unnecessary soiling and humidity.

CAUTION: No liability will be assumed for consequential losses. Subject to technical changes and errors! This knife does not belong in the hands of children!

MANUFACTURER

MARTOR KG | Lindgesfeld 28 | 42653 Solingen | Germany
T +49 212 73870-0 | info@martor.de | www.martor.com