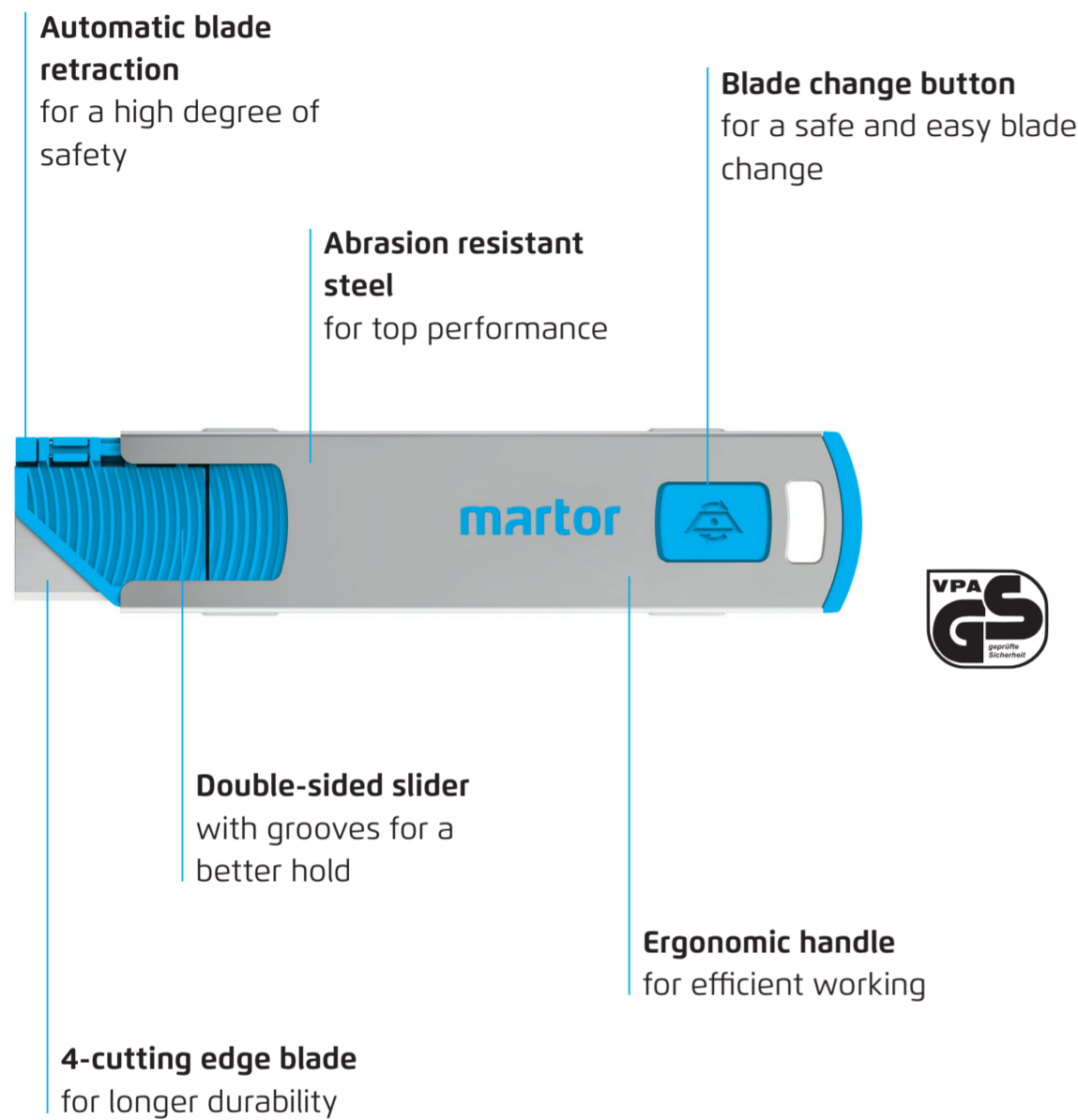


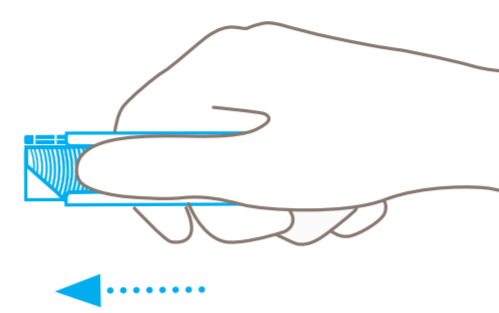
SAFETY POSTER INSTRUCTIONS FOR THE SAFE HANDLING OF YOUR CUTTING TOOL



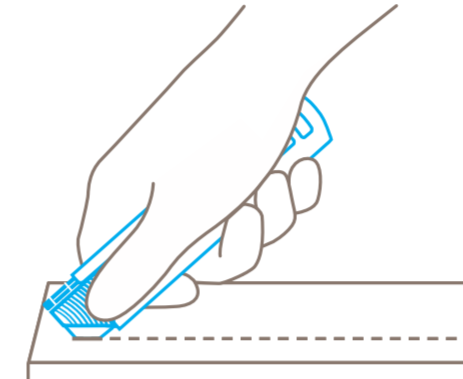
SECUNORM 185



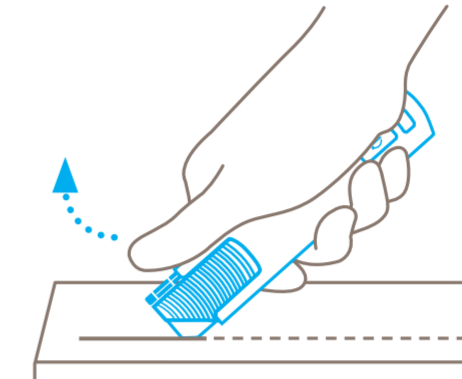
USAGE



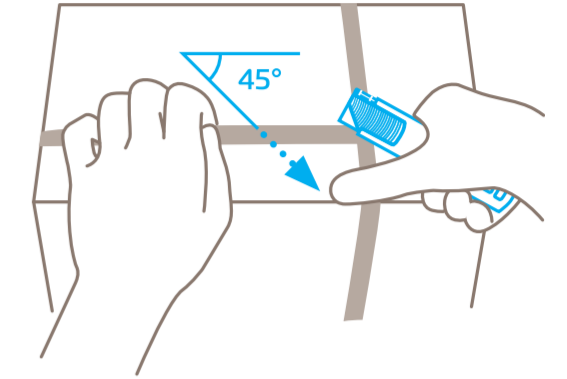
Use the slider to **engage the blade** for cutting.



Pierce into the cutting material to cut.

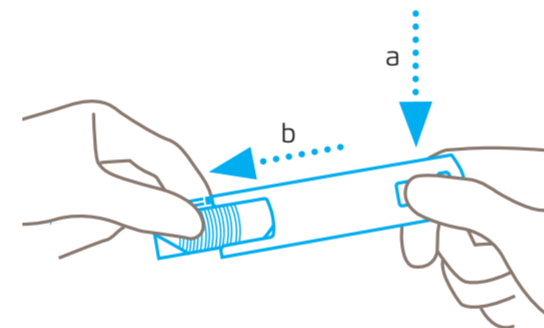


Always remove your **thumb from the slider** to ensure automatic blade retraction.

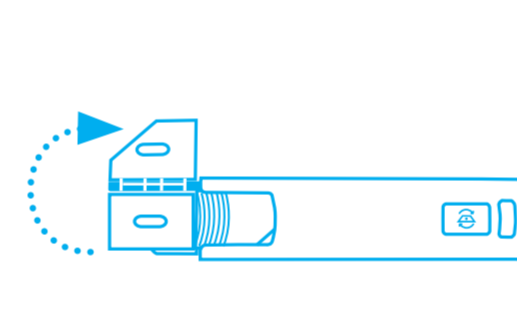


For best results, cut plastic strapping band **diagonally** (at a 45° angle).

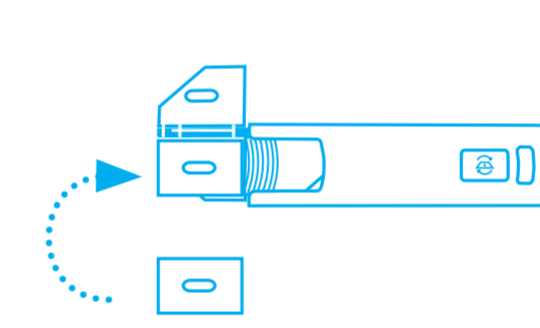
BLADE CHANGE



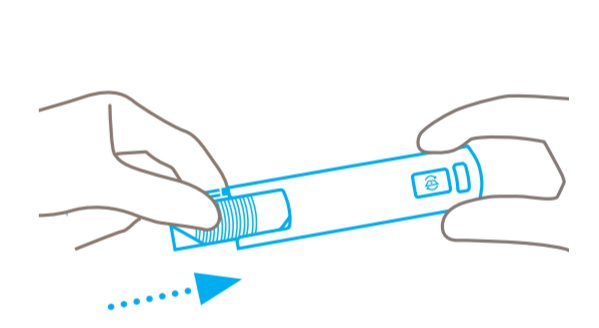
Press the blade change button downwards and **at the same time** pull out the slider all the way from the front.



Open up the blade cover.

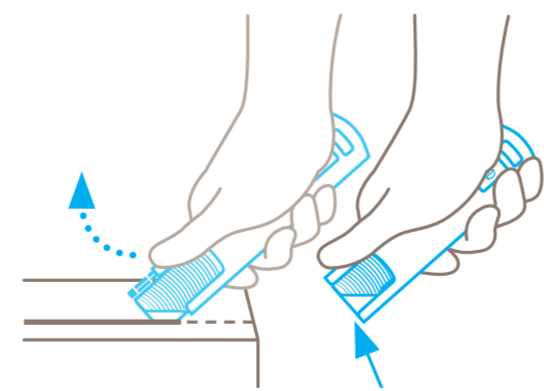


Reverse or replace the blade. Make sure you position the blade **exactly** over the location lobes. Close the cover.



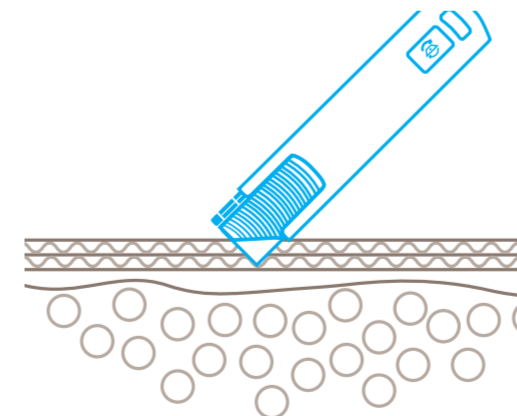
Finally, re-insert the slider and blade **fully into the handle**.

PROTECTION OF USER



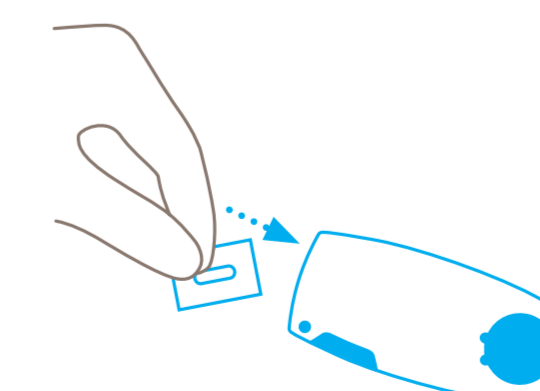
Following cutting, the blade immediately retracts into the handle. Condition: you have **released hold of the slider**.

PROTECTION OF GOODS

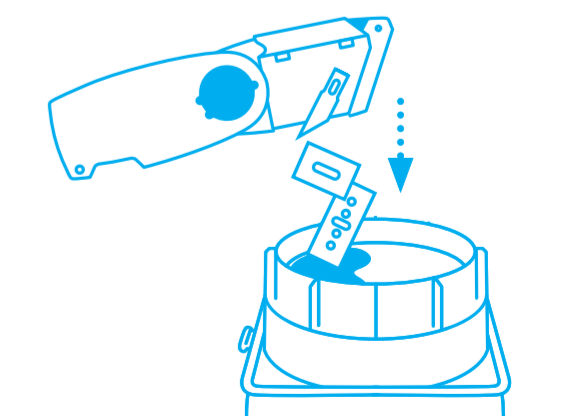


An appropriately **small cutting depth** serves to protect your goods.

DISPOSAL



Your **SAFEBOX** is the best place to store **used blades**.



When the **SAFEBOX** is full, **empty all contents** into your **USED BLADE CONTAINER**.

Please note: To ensure your product always functions flawlessly, regularly remove any impurities. For additional safety, we recommend wearing gloves.